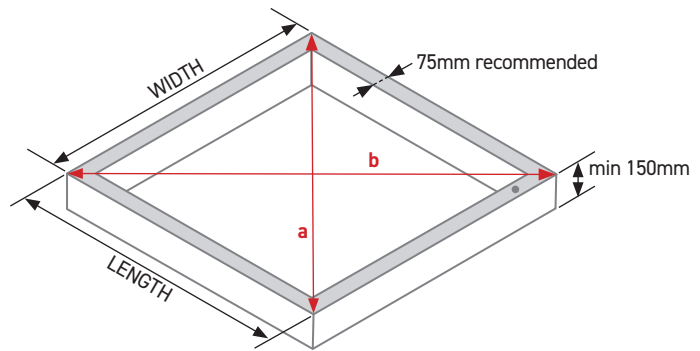


NEW Korniche Roof Lantern surveying guide

Upstand position cross section

- When specifying the dimensions of your lantern you should provide the external dimensions of your upstand including the waterproof membrane.
- Your upstand should have a minimum finished thickness of 65mm (width of the eaves beam). Recommended 75mm.
- It is the responsibility of the installer to determine the finishing detail inside. i.e. where plaster edge finishes.
- Save even more time and hassle with one of our thermally certified SIPS upstands supplied to perfectly fit your lantern.



Recommended upstand detail.

- 0° degree pitch on Upstand
- 25° degree pitch fixed pitch on product
- 28mm glass
- To ensure the upstand is square **a & b** should be equal with a tolerance of +/-4
- A:** Plasterboard
- B:** Indicative structure (by others)
- C:** Waterproof membrane

