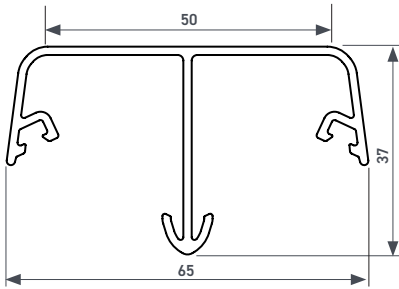
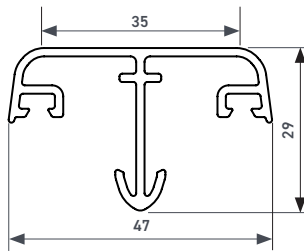


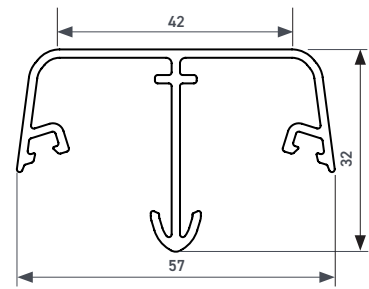
Not to Scale



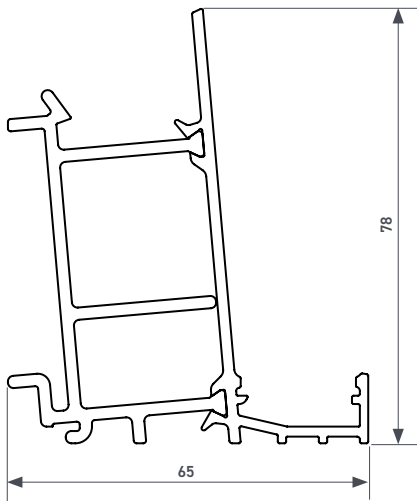
Ridge Top Cap
A-05651



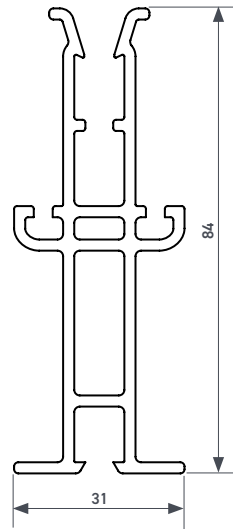
Rafter Top Cap
A-05650



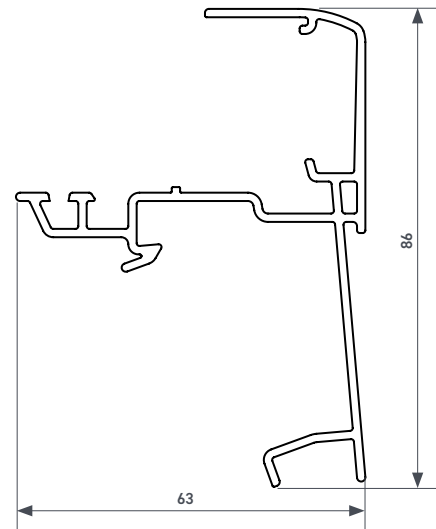
Hip Top Cap
A-05649



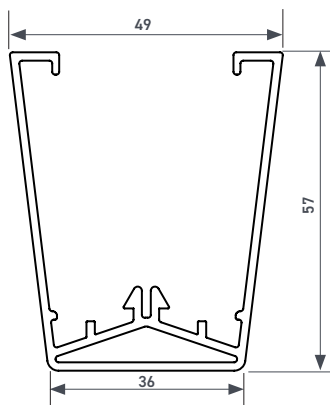
Eaves Beam
A-05653



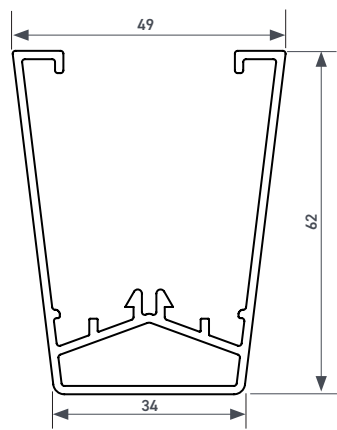
Thermal Cross Bar
A-05823



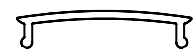
Glazing Retainer
A-05648



Rafter U-Channel
A-05655



Hip and Ridge U-Channel
A-05654



Eaves Screw Cover
A-05815



Glazing Retainer Isolator
A-05867



016 Glazing Retainer Seal
A-08359



016 Glazing Seal Upper (Hip/Rafter/Jack Rafter)
A-05806



016 Upper Glazing Seal (Ridge)
A-08358



016 Rafter Lower Seal
A-08271



016 Glazing Seal Lower (Hip/Ridge)
A-05803