

INSTALLATION HANDBOOK



Modern UPVC Windows
— preview & order online —

Introduction

Thank you for choosing Modern UPVC Windows as your supplier for your home renovation project. We take pride in maintaining long term relationships with local customers, so have created this guide to make your life easier.

Our products are always made to measure, making your fittings even easier and hassle free. Fabricated at our state of the art facility, you've chosen a business with over 20 years of experience for your project.

However, this helpful guide should lead you through the fitting process. We've relayed all the key steps, but don't hesitate to contact us if you're unsure of anything. You're in good hands when you choose Modern UPVC Windows.

CONTENTS

- 3 [Checking Your Products](#)
- 4 [Removal of Products](#)
- 5 [Fixing The Frame](#)
- 6 [Installing The Glazing](#)
- 7 [Toe and Heeling](#)
- 8 [Sealing and Final Tasks](#)
- 11 [Final Inspection Checklist](#)
- 12 [How To Videos](#)

Checking Your Products

Please ensure that all products delivered by our team are thoroughly checked over before any installation is attempted. We are not responsible for any charges incurred after the fitting is complete, should you need to return a window or door due to a manufacturing defect.

All installations should be completed by a competent person, with no exceptions. If you are not confident, please speak to our team and we can recommend a trusted local contractor that you can get in touch with.

Finally, it is your responsibility to ensure that the windows or doors supplied by us adhere to local building regulations and planning permissions. We cannot be held responsible if either are not met in any instance.

■ Here at Modern UPVC Windows, our quality control stage is comprehensive and meticulous. However, when your new windows and doors are delivered, we strongly encourage that you give them a thorough once over.

■ This includes assessing that the profile and glass sealed units are of the requested size. We make our windows and doors to order, so they should be perfect, but you'll need to check before any fitting takes place.

■ You are also encouraged to check moving components, such as hinges and handles, operate as they should.

If you encounter any manufacturing defects or have any concerns, contact the Modern UPVC Windows team **immediately**.

Preparing Your Aperture

■ With your own checks and quality control complete, you're in a position to begin preparing the aperture for the new window or door. You'll need to carefully remove the frames and glass of the existing system, allowing time to clean the brickwork too. You'll want to remove all dust and debris.

■ Depending on the material of window or door that you are removing, a few intricacies of the process will change. We've provided a brief outline on the next page, but contact us if you're needing to remove a window of any other material, such as steel, for advice.

Removal of Products

Removal of uPVC Products

- If there is any security tape, this must be cut and removed first.
- Remove the glazing beads so that the glass can be taken out.
- Detach mullions or transoms if fitted to the window or door.
- Cut through the profile to dislodge and remove in pieces or unscrew frame from brickwork if possible.

Removal of Timber Products

- Remove the casements and glass first.
- Do so by levering out the screws or removing the hinges.
- Safely remove the mullions and transoms, if fitted to the window or door.
- Lever out or cut through the remaining timber profile to safely and efficiently remove it as required.

Note – we recommend you fully replace one window or door before starting on the next. Doing so maintains standard weatherproofing and security of the home as the work is completed.

Fixing Your Products

Fixing The Cill

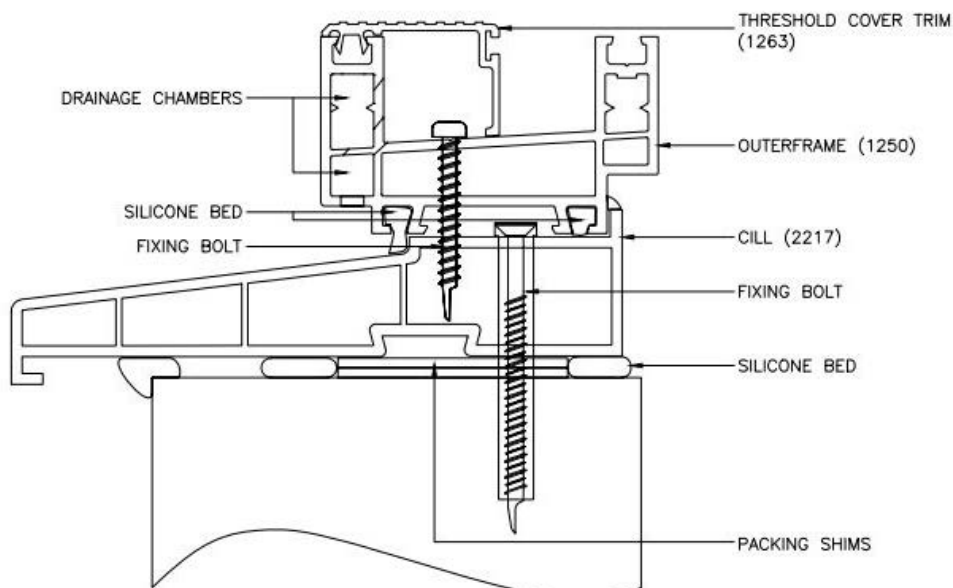
It is imperative that a sealant barrier is fitted whenever a cill is included as part of the window or door installation.

A quality seal is required between the cill and the frame, as well as at the ends of the cill. This is actioned to ensure weatherproofing and prevent water ingress.

When fixing the cill in place, you must ensure the following:

- It is completely level.
- The DPC is intact.
- The area is free of dust, dirt and debris.
- End Caps are already installed.

Fixings Through Cill



Fixing The Frame

You must ensure that before you fix the frame in place, the window or door supplied by us is installed plumb and square. If correct quality control and checking has taken place ([page 3](#)), this should be straightforward for a qualified person.

Set the window or door as far back within the aperture as possible, to maximise the eventual weatherproofing standards for the homeowner.

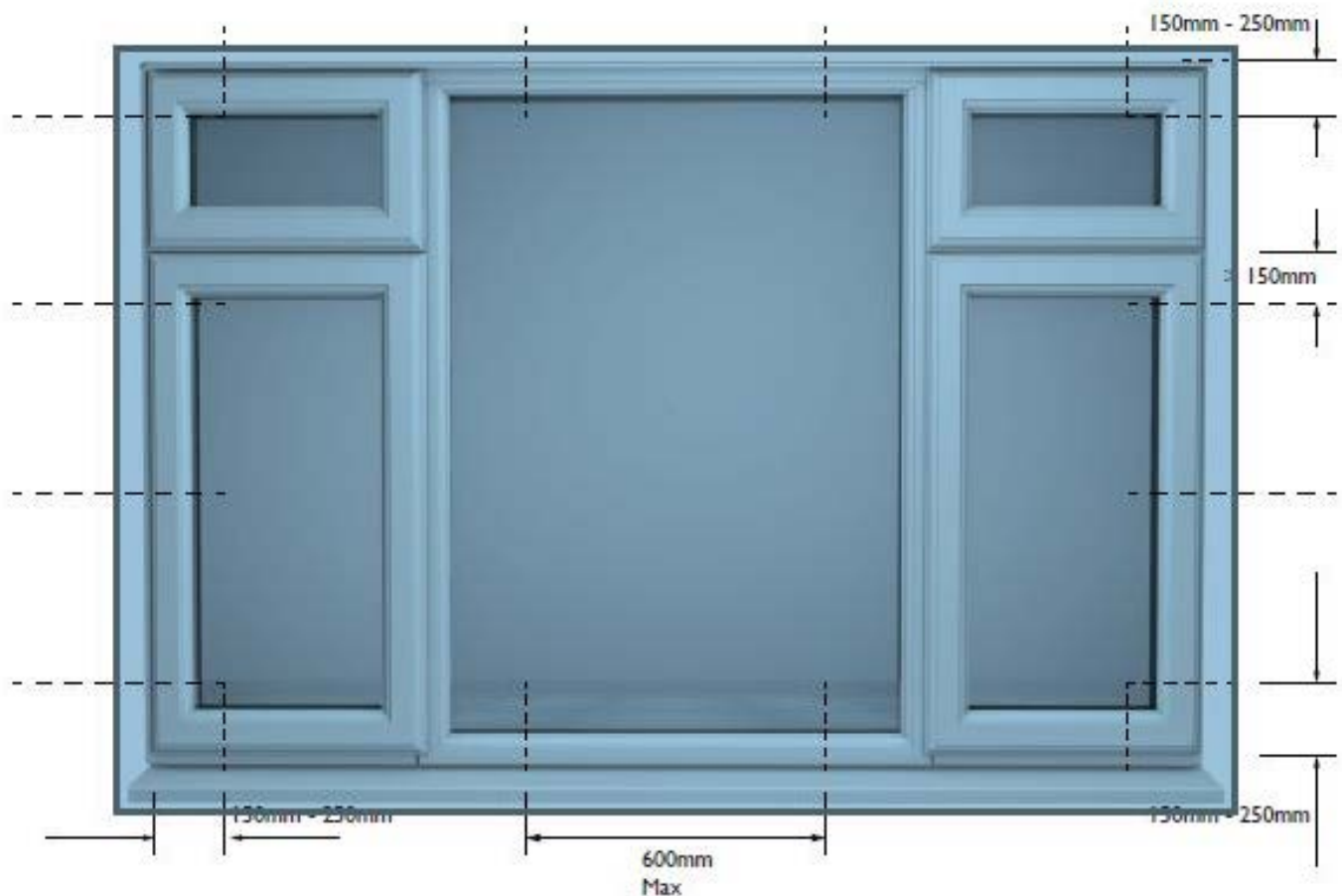
Once your frame position has been set you can begin fixing. If suitable, you may use the concrete fixings and packers supplied by Modern UPVC Windows (sold separately).

Where possible, all four sides of the frame should be secured as follows:

- Corner fixings should be between 150mm and 250mm from the external corner.
- No fixings should be less than 150mm from the centre line of a mullion or transom.
- Intermediate fixings should be at centres no greater than 600mm.
- A minimum of two fixings should be used on each jamb.

For the top and bottom of the frame, fixing positions are as follows:

- Frame width up to 1200mm – no fixings.
- Frame width 1201mm to 2400mm – one fixing.
- Frame width 2401mm to 3600mm – two equally spaced fixings.



Installing The Glazing

We supply our windows and doors unglazed, with the glass delivered separately. It will require fitting by competent persons as part of the installation. You are strongly advised to only begin the glazing process once the window or door profile is secured into the aperture.

1. Ensure the glazing area is free of dust, dirt or debris that could accumulate during any of the previous stages.

2. Remove the glazing beads, make sure to take note of where they were placed within the window or door.

3. Place the provided black glazing bridge packers (P2849) on the bottom of the area to be glazed ensuring they sit directly onto the profile with the hooks facing in towards the inside of the window. The packers should clip into the frame to prevent them from moving (image a).

4. Place the provided white packers (P2848) to the sides of the glass with the hooks facing in towards the inside of the window. The packers should clip into the frame to prevent them from falling (image b).

5. Take the correct glass unit and place it into the corresponding area to be glazed ensuring that the positioned packers are not knocked off.

Take one of the glazing beads (we recommend always starting with the smallest) and, with a nylon hammer, knock the bead into position ensuring the plastic leg on the back of the bead enters the bead channel correctly.

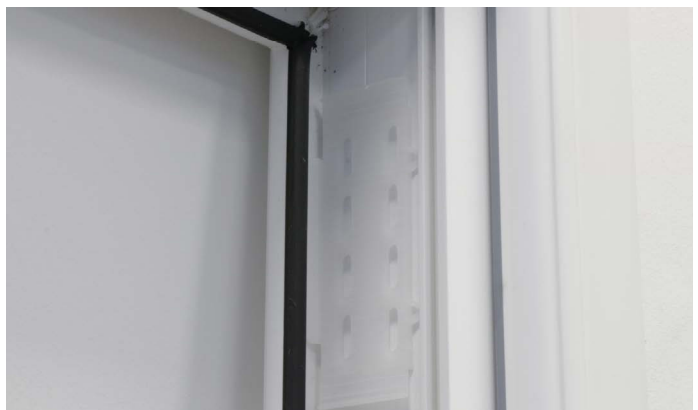
Now take the bead for the opposite side and knock that into position. Complete the two remaining sides before moving onto another area requiring glazing.

Please Note – The glazing beads are designed to provide a very tight fit against the glass. This is to ensure the glass does not vibrate and a good seal is created.

a.



b.



Toe and Heeling

What is it

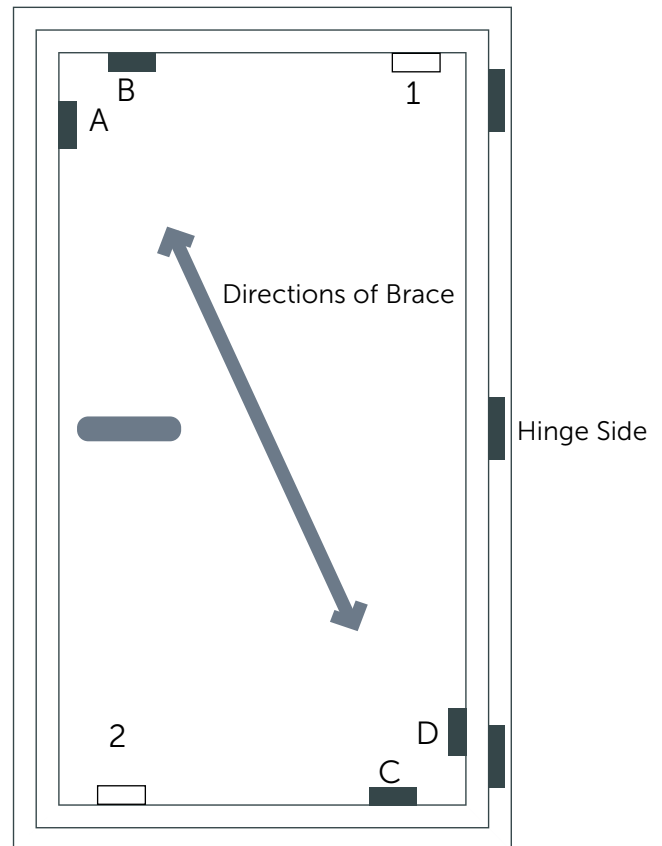
- Toe and heeling involves diagonal bracing from corner to corner by using sturdy glass packers.
- Toe and heeling is an essential process required if you are installing a **uPVC door or a side hung window**.
- Without the correct toe and heeling process, the window or door could drop on the lock side.

How to do it

- 1.** Place the packers on the bottom corner of the hinge side of the window or door.
- 2.** Place separate packers in the opposite corner on the lock side.
- 3.** Check that the opener functions correctly and make adjustments to the packing where necessary. You also have the option of adjusting the hinges on all of our doors if further adjustment is required.
- 4.** Continue to bead the window or door as per instructions on [page 6](#)

We advise that you use a small amount of silicone when securing the packers.

Details of positioning packers to Toe & Heel a door hinged on the right hand side



A, B, C & D Bracing Packers
1 & 2 Spacer Packers

Final Tasks

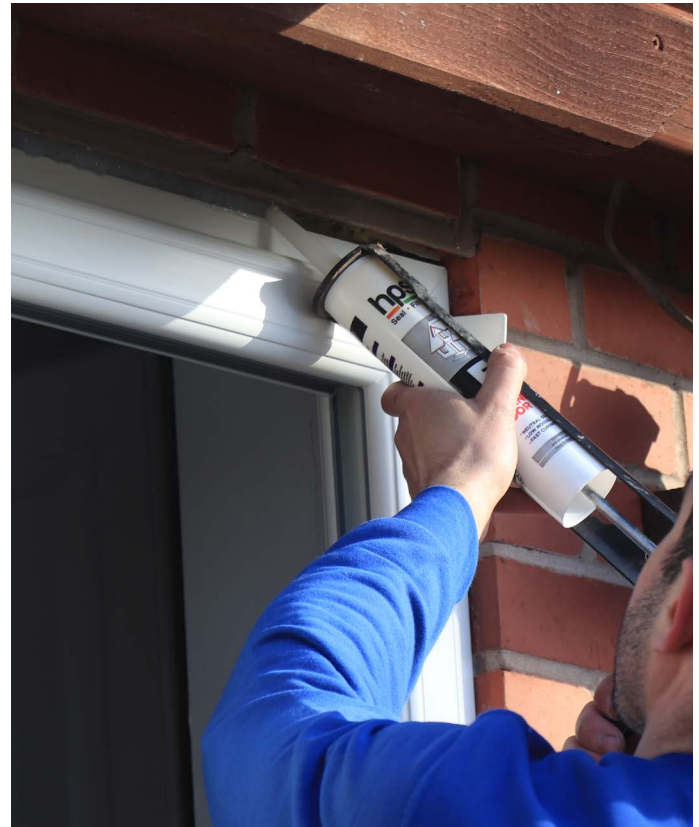
Sealing

With the glazing profile in place, the glass secure and toe and heeling completed (where needed), you're now in a position to complete the final tasks for the window or door installation.

This will likely include fitting the finishing trims to the perimeter of the frames, as well as sealing work. Before commencing with either, ensure that dust and debris are removed.

Continuous sealing should then be undertaken on all four sides, using a sealant material appropriate for both uPVC and the building material surrounding it.

Please Note - Consideration should also be given to joint size, anticipated movement and weather exposure.



Cleaning and Quality Control

With the sealant applied and trims fitted, you'll need to allow it to cure and set before attempting any final quality control tasks. From there, we recommend the following:

- Remove all tape, as this can become stubborn if left for too long.
- Clean the profile with an appropriate uPVC cleaning solution.
- Ensure the windows or doors operate as they should.
- Complete a visual check to ensure it is fitted correctly.

If installed correctly, the homeowner will enjoy years of effortless performance from their windows and doors. We only supply the best!

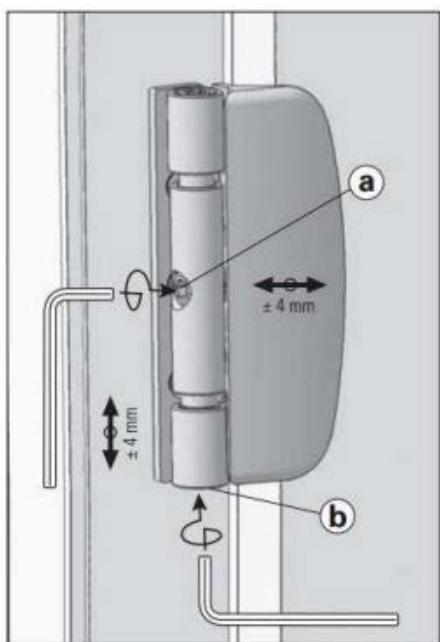
Our team recommend that you also point the homeowner in the direction of our **maintenance handbook**, so they can prolong their windows and doors' lifespans further.

Hinge Adjustment (Single and French Doors)

Where required, our 2D hinges for single and French doors can be adjusted. The instructions for the respective directions are as follows:

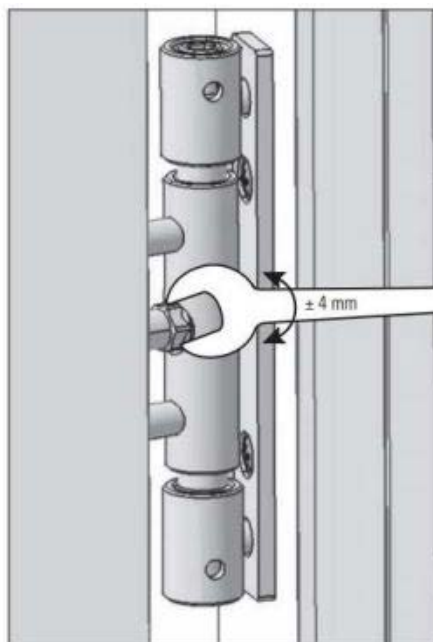
Horizontal

Use an 5mm allen key at point 'a' as shown in the left image. Alternatively, a 9mm spanner can be used as shown in the right image.



Vertical

Use a 5mm allen key at point 'b' as shown on the left image to vertically adjust the leaf of a single or French door.



Maintenance

Our friction hinges are manufactured to the highest possible standards. To keep them operating at their best it is recommended that you:

- 1.** Remove all dust, dirt or debris when completing the initial fitting.
- 2.** Lubricate all pivot points upon installation with light machine oil.
- 3.** Encourage homeowners to re-oil their window hinges once a year.
- 4.** Check the tightness and fixing of all screws and rivets.

Operation of Easy Clean Hinges (Where Applicable)

Please see the instructions below for how homeowners can clean the outside of the window, maintaining the best condition of the windows.

- 1.** Open the window fully to locate the levers and hinges.
- 2.** Press one lever and slide the window towards the centre of the opening.
- 3.** Repeat this process with the second lever.
- 4.** Using both hands, slide the window evenly to gain access to the outside.
- 5.** Reset the hinges by simply closing the window as normal.



Roller Adjustment (Sliding Patio Doors)

You can adjust the rollers for our uPVC sliding patio doors using the screw at the bottom of the profile. This should ensure a smooth, gliding motion.



Foiled products

Our windows and doors can be foiled as part our manufacturing process. Homeowners love colours including Cream and Anthracite Grey, and these are readily available from Modern UPVC Windows for your supply only home improvements.

As part of the extrusion of the uPVC, the joints are welded, creating a 5mm groove. An expert member of our manufacturing team will then use an industry specific, colour matched pen to blend this joint with the rest of the coloured window or door. **We want to assure you that this is completely normal.**

While we take complete care with our handling and delivery of your completed foiled window or door, there is always the possibility that light damage could occur. In these instances, touching up will be required. We can supply a colour matched, industry specific pen for this.

Final Inspection Checklist

Visual Appearance

- Is the frame installed plumb and square?
- Is the beading fitted correctly and evenly as instructed?
- Are exposed faces, including beads, free from damage?
- Is the frame clean with all protective tape removed?
- Has any damage to aperture been fixed as required?
- Have all trims been fitted correctly?
- Has all dust, dirt and debris been cleaned off?

Glazing

- Are obscure and coated glass units oriented properly?
- Are sealed unit spacer bars covered by frame and beads?
- Is the glazing held properly by beads and gaskets?
- Is safety glass used where necessary?

Drainage

- Are all of the drainage channels free from obstruction?

Operation

- Do all openers close, lock and open again as intended?
- Are seals on frames without gaps?
- Are all of the cams free from binding against strikers?
- Is all the operating gear lubricated?
- Is all hardware attached with correct numbers of fixings?

Sightlines

- Are all sightlines visually correct?
- Are adjacent opening lights aligned?
- Are all decorative features correctly aligned as appropriate?

Sealing

- Are all of the joints smooth and correctly formed?
- Is the sealant continuous around the frame without any breaks?
- Is the face of the frame free from excess sealant?

Miscellaneous

- Are all cill end caps fitted if required?

How To Videos

For further instructions, please have a look through our how to videos listed below:

How to toe and heel

<https://youtu.be/lB6blRgg8Us>

How to install trickle vents

<https://youtu.be/palceK5ViVY>

How to deglaze doors and windows

https://youtu.be/0m1aL6dM_wE

How to change a door barrel

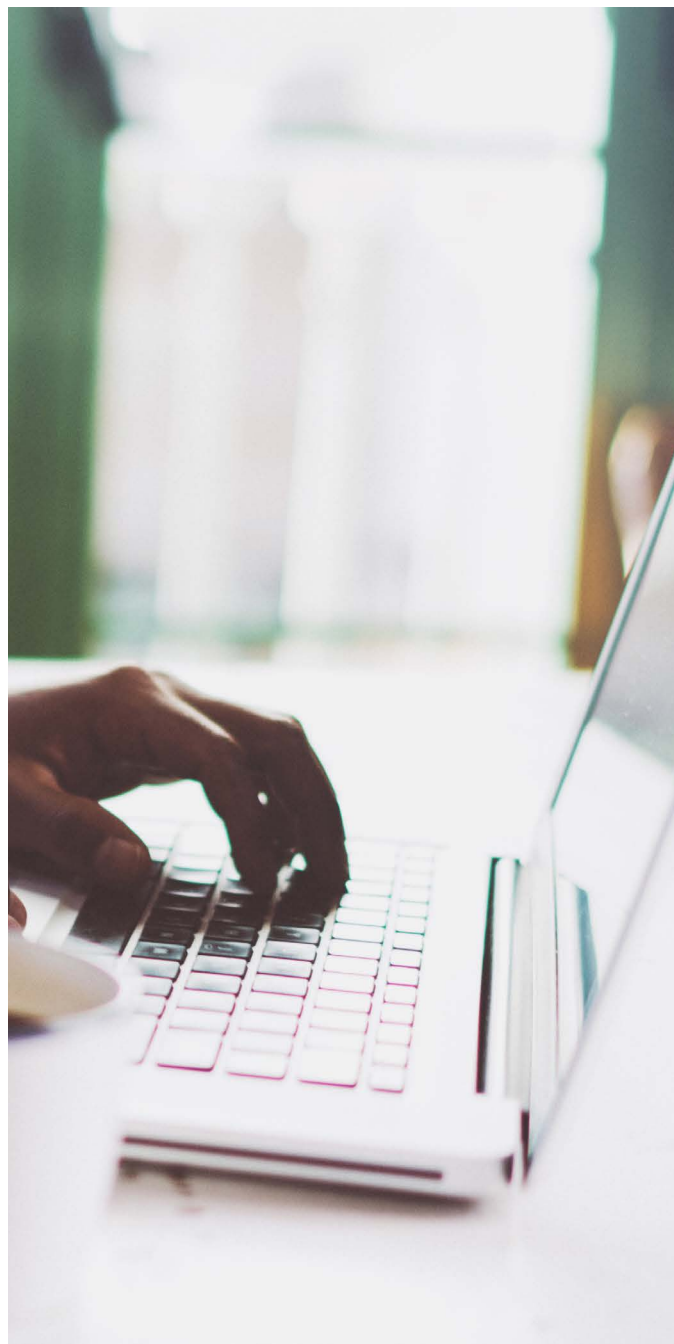
<https://youtu.be/qrgLpwHug0Y>

How to adjust a door hinge

<https://youtu.be/l55cID0jjUc>

How to install a child restrictor

https://youtu.be/iO_ldJEReaQ



If you still require any assistance installing your new uPVC windows or doors, reach out to our team today. We are here to help in any way we can.

Modern UPVC Windows

————— preview & order online —————

Unit J, Tungsten Park, Maple Drive,
Hinckley, LE10 3BE

01455 639739

info@ModernUpvcWindows.co.uk

www.ModernUpvcWindows.co.uk